



ADJUSTABLE/REVERSIBLE SAFETY SELECTOR

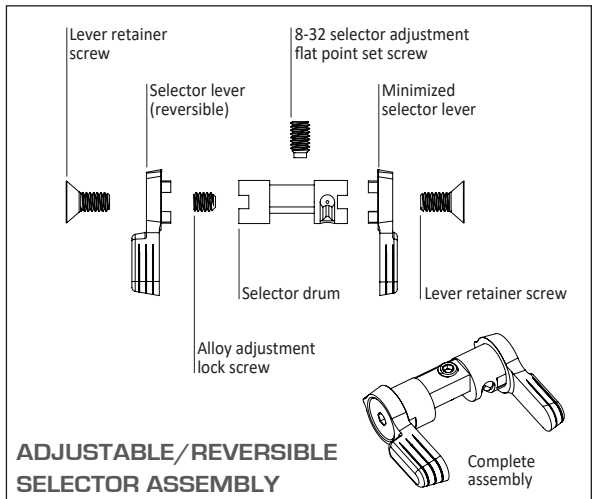
PARTS INCLUDED

- One (1) selector drum
- Two (1) safety levers
- One (1) JP safety detent
- One (1) safety detent spring
- Two (2) 8-32 x 3/8" flat head cap screws
- One (1) 8-32 x 1/4" flat head cap screw
- One (1) 8-32 x 5/16" flat point set screw
- One (1) 8-32 x 3/16" alloy set screw

The JPFC-SA adjustable/reversible selector solves two problems. It provides a method to achieve perfect fit and safe function of the safety selector with any standard or aftermarket triggers, regardless of tolerance stack-up issues. It is also the ideal mechanism for both right- and left-handed shooters.

INSTALLATION INSTRUCTIONS

1. Remove the pistol grip. Collect the safety detent spring and plunger, which are retained by the pistol grip and will come out the bottom of the receiver once the grip is removed.
2. Remove the existing selector if you are starting with a fully assembled lower.
3. Perform the installation procedure on any aftermarket trigger parts you are using. After you have installed and tested your trigger components, you are ready to install the selector.
4. Degrease the selector drum set screws.
5. Locate the detent track on the right-hand side of the selector. Note the detent hole in the right side of the receiver selector hole. Install the selector drum with the detent track on the right-hand side to correspond with the detent hole in the receiver.



INCREASED SAFETY INSTALLATION

The included safety detent spring can be installed at this point to increase the safety detent pressure of your rifle to better resist accidental safety deactivation. Simply replace the standard spring from your rifle with this heavier spring as part of step 6. We recommend a higher safety tension for any duty or non-competitive application.

6. Install the included JP safety detent, spring and pistol grip on the lower.
7. Using the selector lever as a key, rotate the selector into the “safe” position.
8. Put a drop of Loctite® 242 on the 8-32 flat point adjustment set screw, and insert it into the hole on top of the selector drum. **With the hammer in the cocked position**, turn the screw down until it stops against the trigger tail. Then, back it off 1/8th of a turn for proper clearance.
9. Install the alloy 8-32 lock screw into the left side of the selector drum and tension it against the adjustment screw.
10. Using one of the 8-32 x 3/8” flat head screws, install the full-size lever on the left side if you are right-handed or the right side if you are left-handed.
11. Install the minimized lever with the remaining 8-32 x 3/8” flat head in the opposite side. If you prefer not to have an ambidextrous setup, the shorter 8-32 x 1/4” flat head screw can be installed in as a plug screw.
12. Test the function of the selector. Make sure that the hammer is in the cocked position and that the selector is in the “safe” position. Squeeze the trigger hard. There should be no apparent movement of the trigger against the selector. Move the lever to “fire” and test the function of the trigger. It should work properly. Move the lever back and forth between fire and safe to make sure that you have smooth, positive detent function on the selector.

It should not be possible to move the selector from fire to safe when the hammer is in the down or fired position. Attempting to force the selector from fire to safe with the hammer in the down/fired position may damage the trigger components or the receiver.

Warning: Replacing any original JP fire control components with non-JP aftermarket components may render the safety selector nonfunctional by allowing the rifle to fire on safe. For example, some two-stage triggers will not interface with the JP adjustable selector, which will not fully block the trigger in the safe position and allow the trigger to function even with the safety engaged. If you install a non-JP trigger system in your JP rifle, it is imperative to verify safety function.

THANKS FOR YOUR BUSINESS!